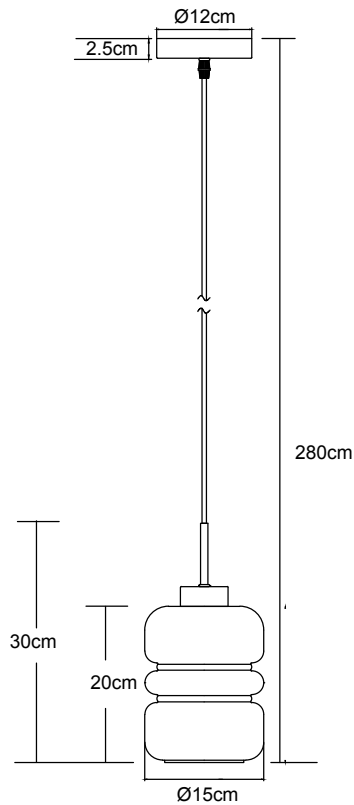


# IT'S ABOUT RoMi<sup>®</sup>

CITY LIGHTS  
↳ technical drawing & packing details

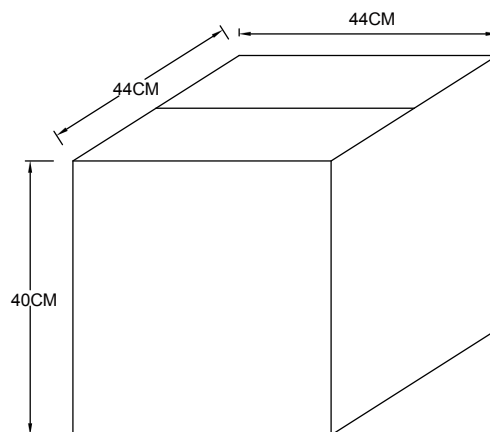
## VERONA/PENDANT LAMP(VERONA/H)



SIZE: Max.Height 280CM

E27, MAX 40W

## PACKING DETAILS



BOX Sizes: 44\*44\*40CM

Total CBM: 0.077

G.W: 5.50 KGS

N.W: 3.60KGS

NUMBER OF BOXES:4PCS